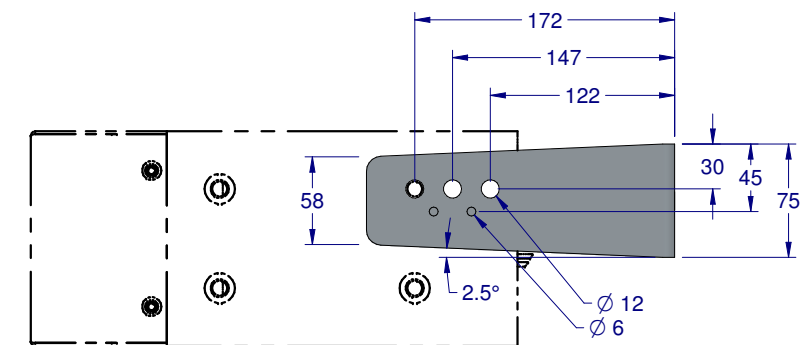
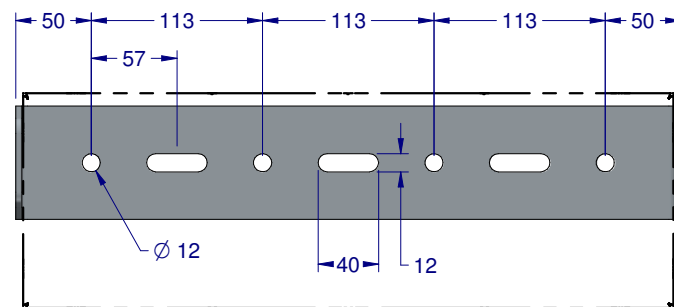
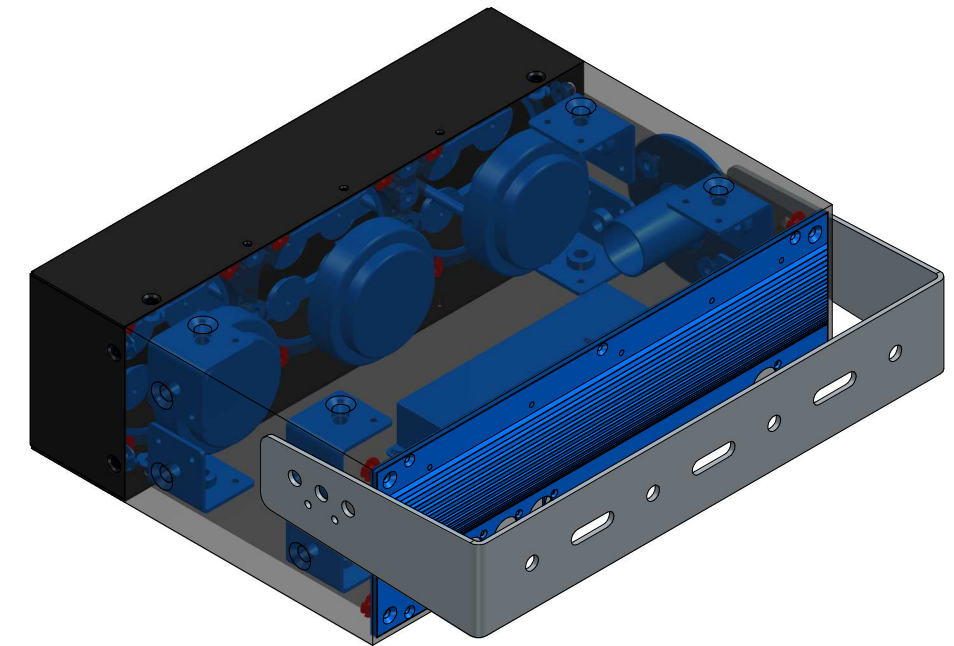
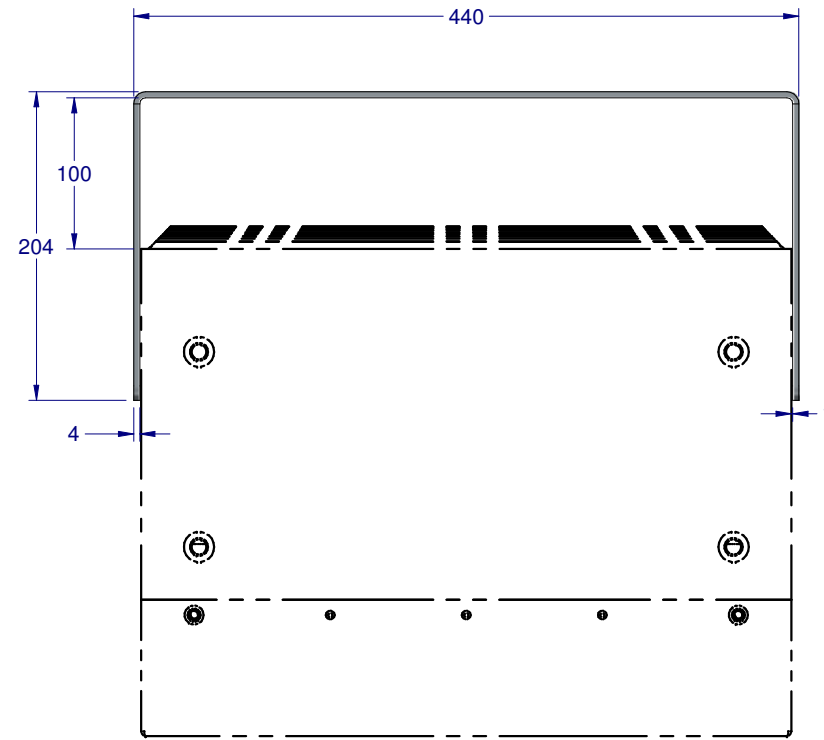


REV	DATE	DETAILS	BY/APPD

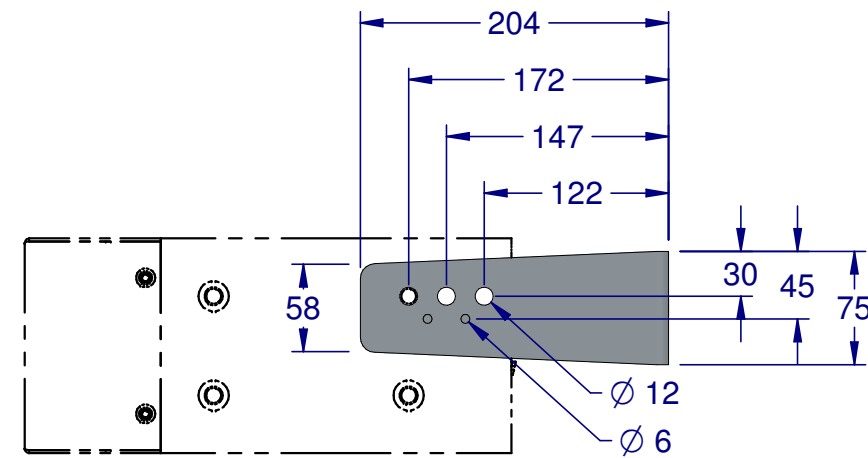
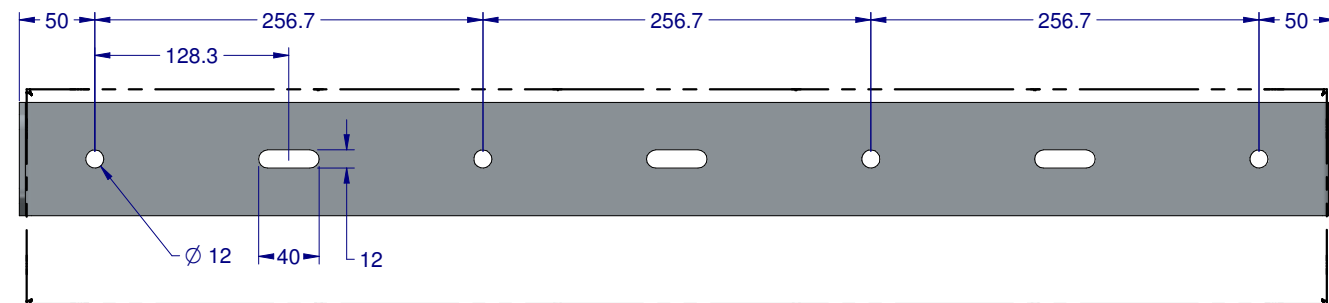
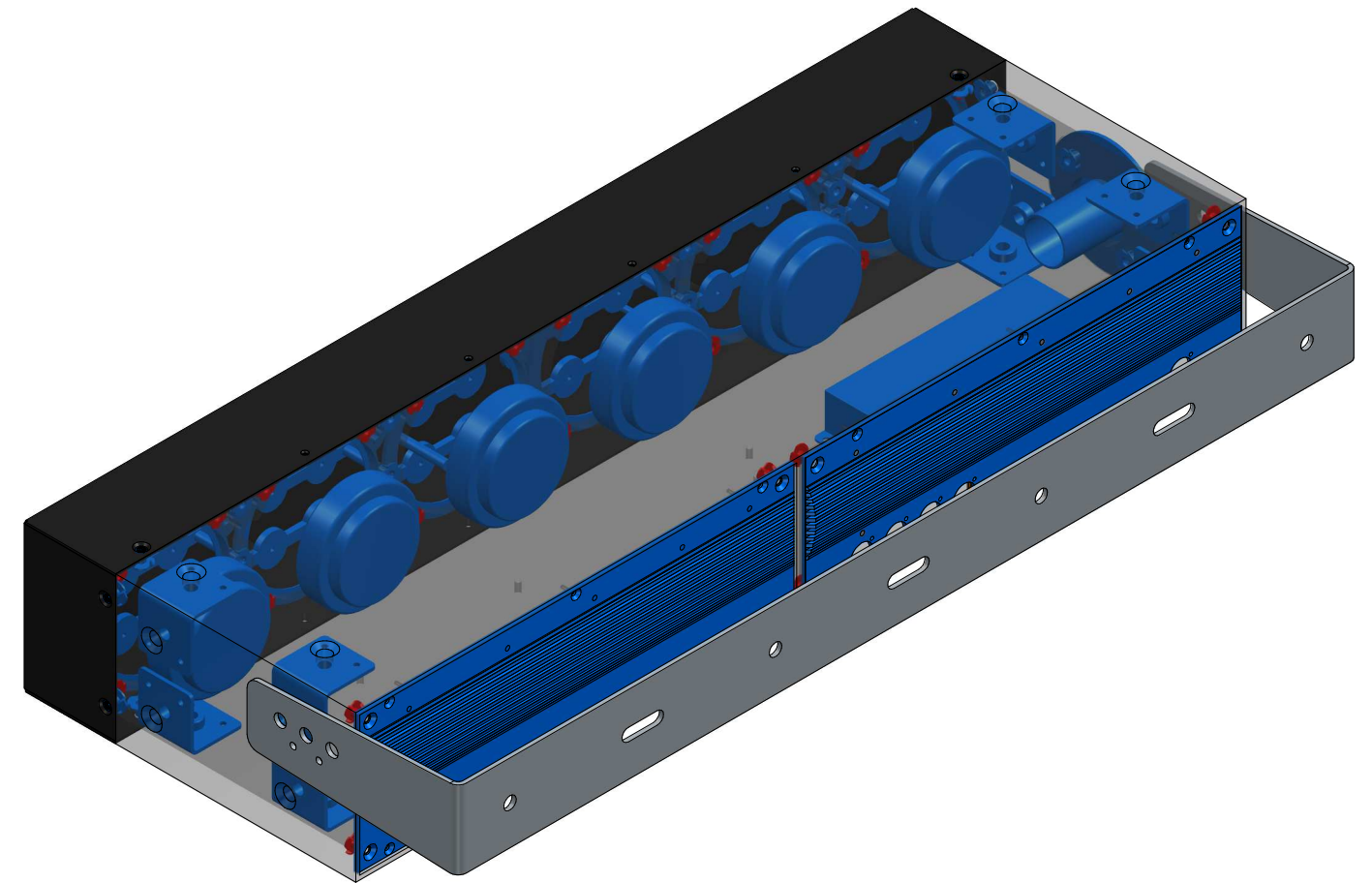
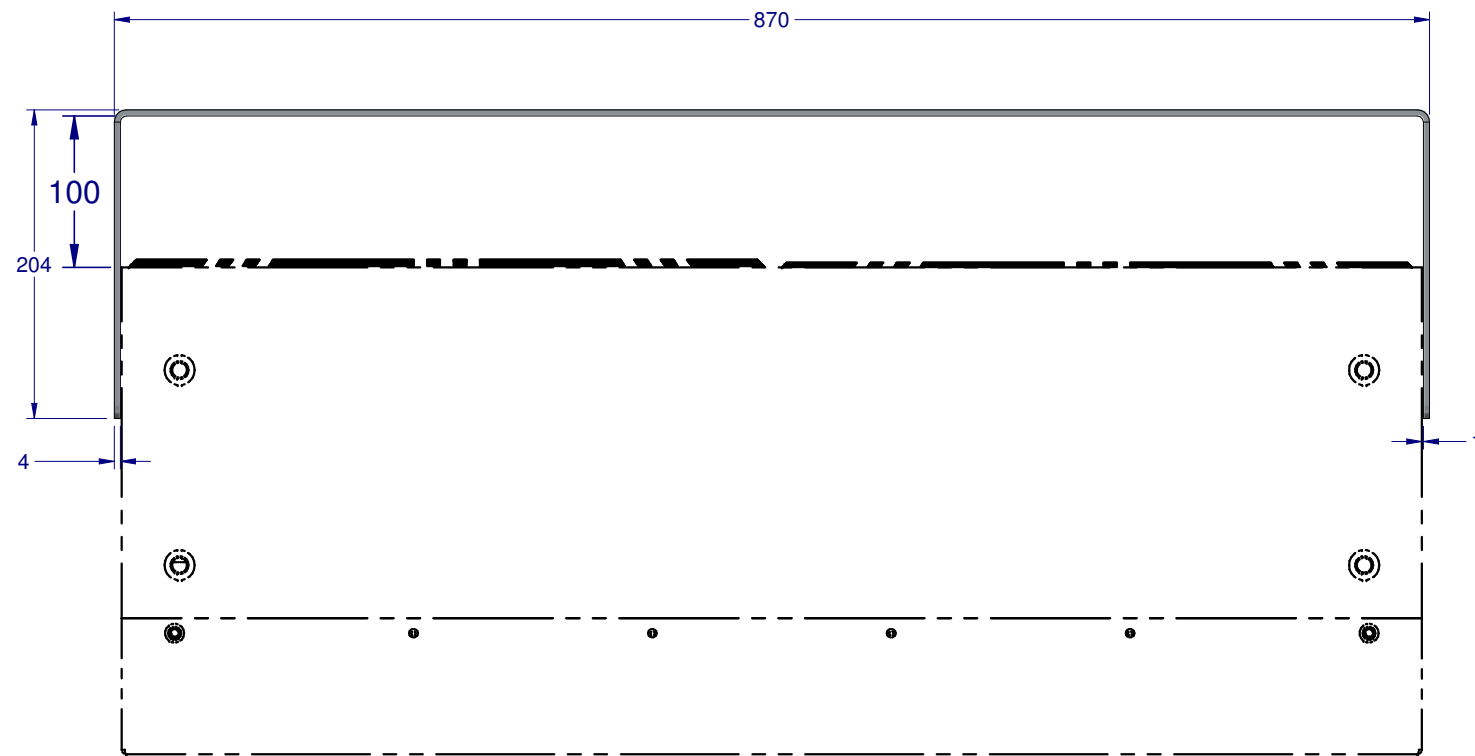


**SECURE
ELECTRONICS**

© 2015. This document and the intellectual property contained herein remain the property of the author and may not be disclosed to third parties, whether in printed or electronic form, without the written consent of the copyright owner. DO NOT work to marked-up prints!	GENERAL TOLERANCES (Unless otherwise noted): Whole: ± 1.0mm Decimal: ± 0.2mm Angular: ± 0.5 deg. Break ALL sharp corners and remove burrs & swarf.	Drawn: T.D	12/02/2020	Mat'l: MILD STEEL	Title / Project: SMALL COLUMN SPEAKER MOUNTING BRACKET	DWG No: SC-MB-01	REV No:
		Chkd:		Finish: P/COAT MATT BLACK			

A3

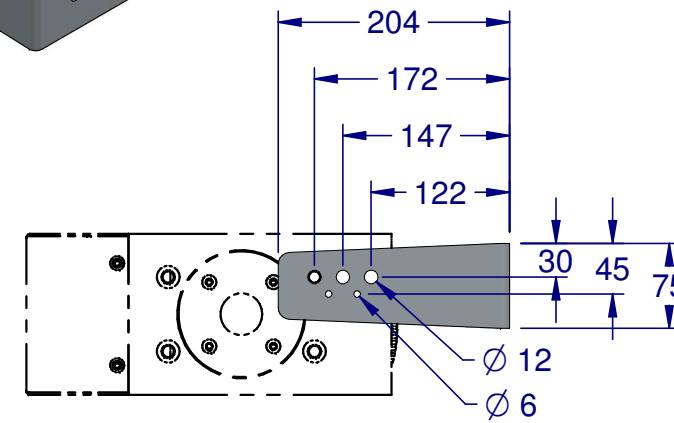
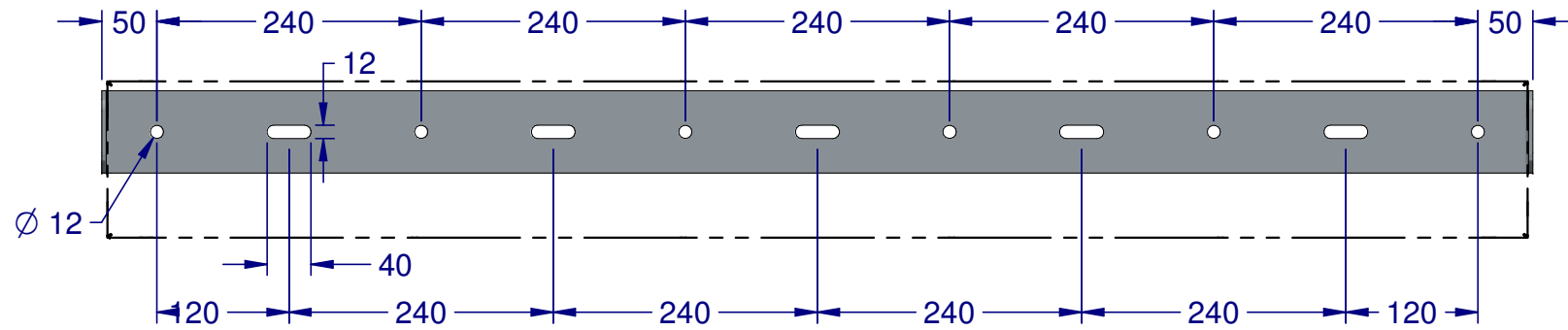
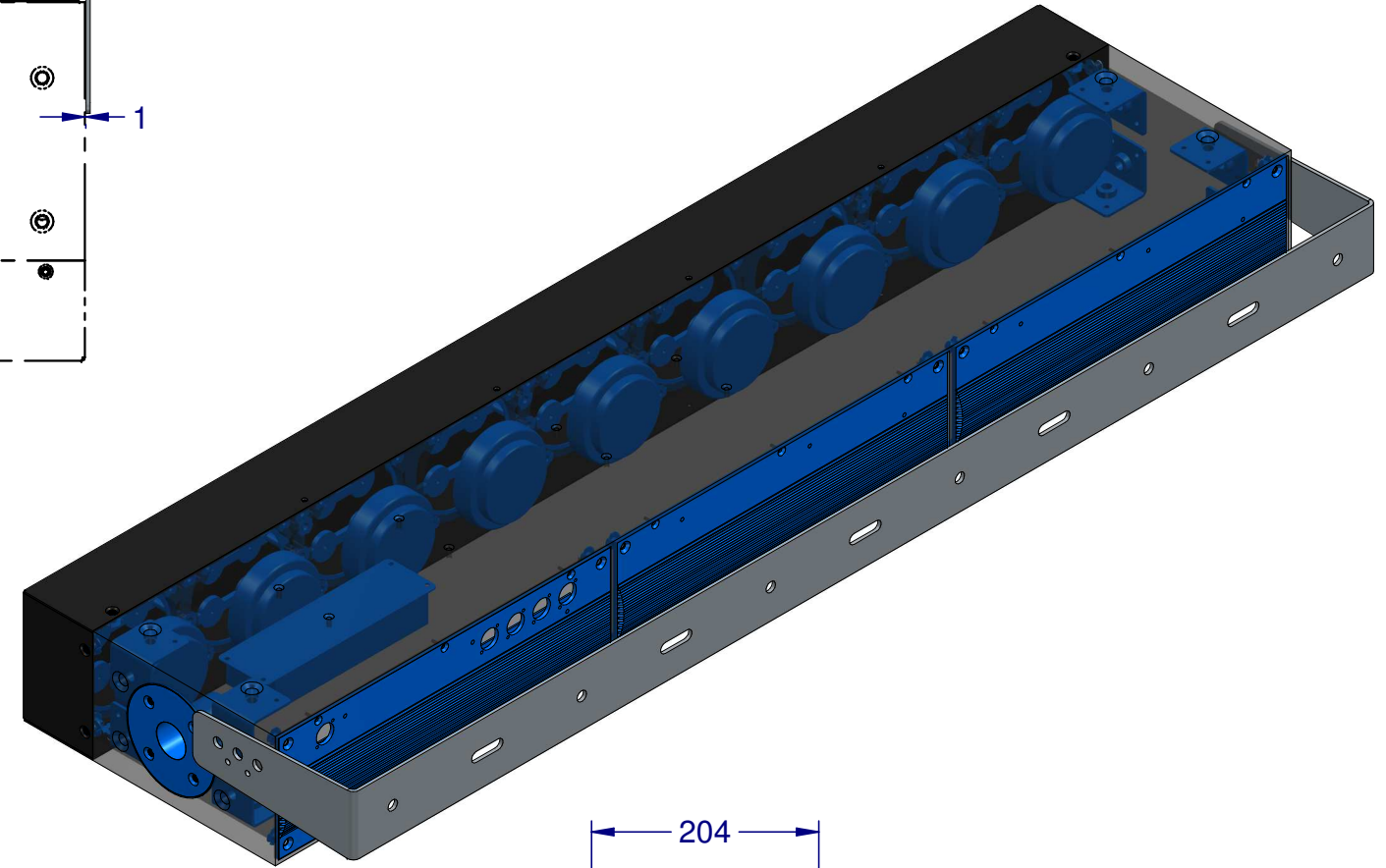
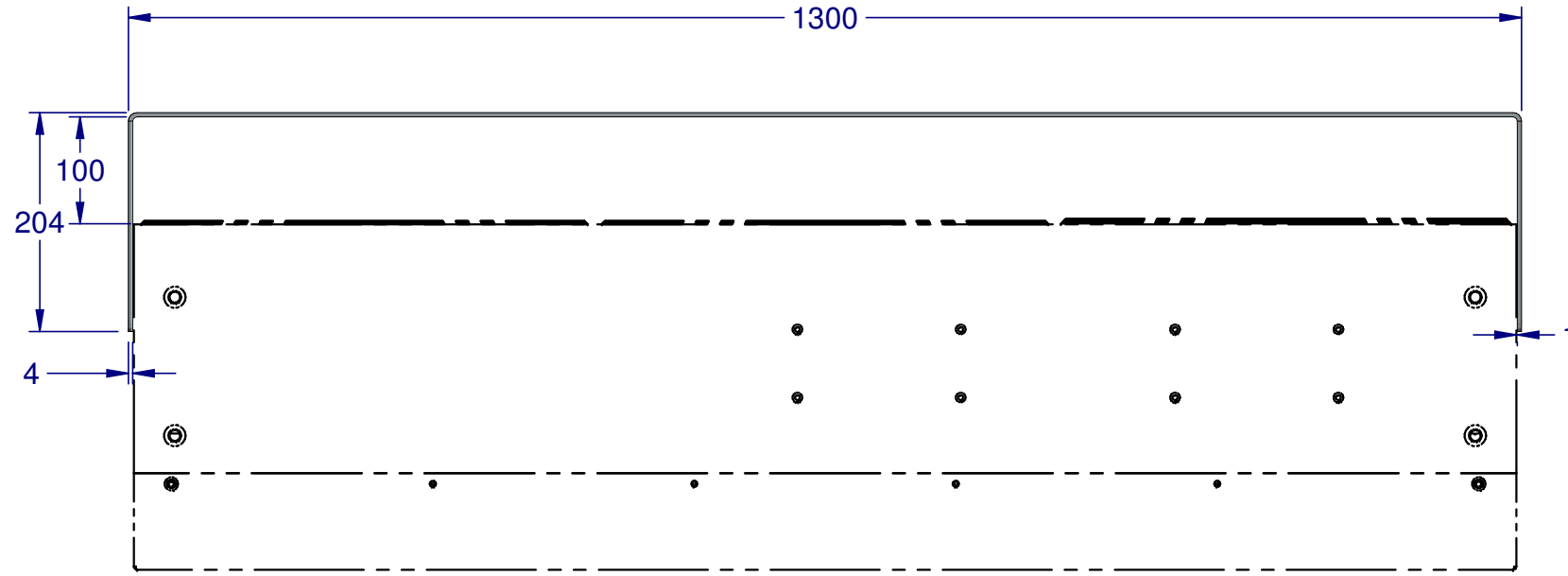
REV	DATE	DETAILS	BY/APPD



<p>© 2015. This document and the intellectual property contained herein remain the property of the author and may not be disclosed to third parties, whether in printed or electronic form, without the written consent of the copyright owner. DO NOT work to marked-up prints!</p>	<p>GENERAL TOLERANCES (Unless otherwise noted): Whole: ± 1.0mm Decimal: ± 0.2mm Angular: ± 0.5 deg. Break ALL sharp corners and remove burrs & swarf.</p>	Drawn: T.D	12/02/2020	Mat'l: MILD STEEL	<p>Title / Project: MEDIUM COLUMN SPEAKER MOUNTING BRACKET</p>
		Chkd:		Finish: PCOAT MATT BLACK	
		Apprv:		<p>All Dimensions in mm unless otherwise noted Third Angle Projection - AS 1100</p>	<p>REV No:</p>
					<p>SCALE: File:</p>

SECURE ELECTRONICS

REV	DATE	DETAILS	BY/APPD



**SECURE
ELECTRONICS**

<small>© 2015. This document and the intellectual property contained herein remain the property of the author and may not be disclosed to third parties, whether in printed or electronic form, without the written consent of the copyright owner. DO NOT work to marked-up prints!</small>	GENERAL TOLERANCES (Unless otherwise noted): Whole: $\pm 1.0\text{mm}$ Decimal: $\pm 0.2\text{mm}$ Angular: $\pm 0.5\text{deg.}$ Break ALL sharp corners and remove burrs & swarf.	Drawn: T.D	12/02/2020	Mat'l: MILD STEEL	Title / Project: LARGE COLUMN SPEAKER MOUNTING BRACKET
		Chkd: Apprv:	Finish: P/COAT MATT BLACK	All Dimensions in mm unless otherwise noted Third Angle Projection - AS 1100	
SCALE:					File:

A3