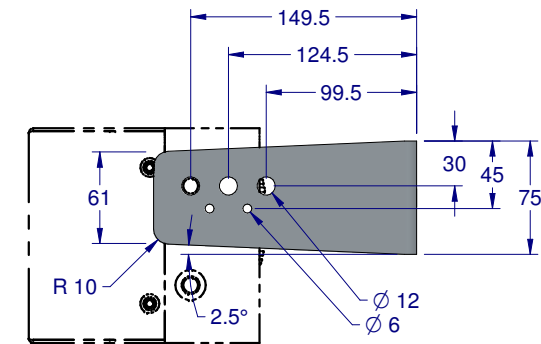
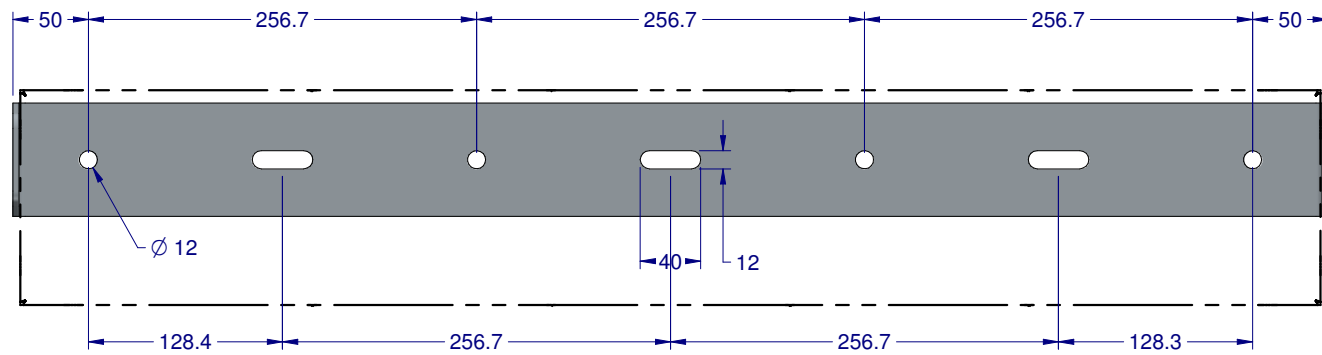
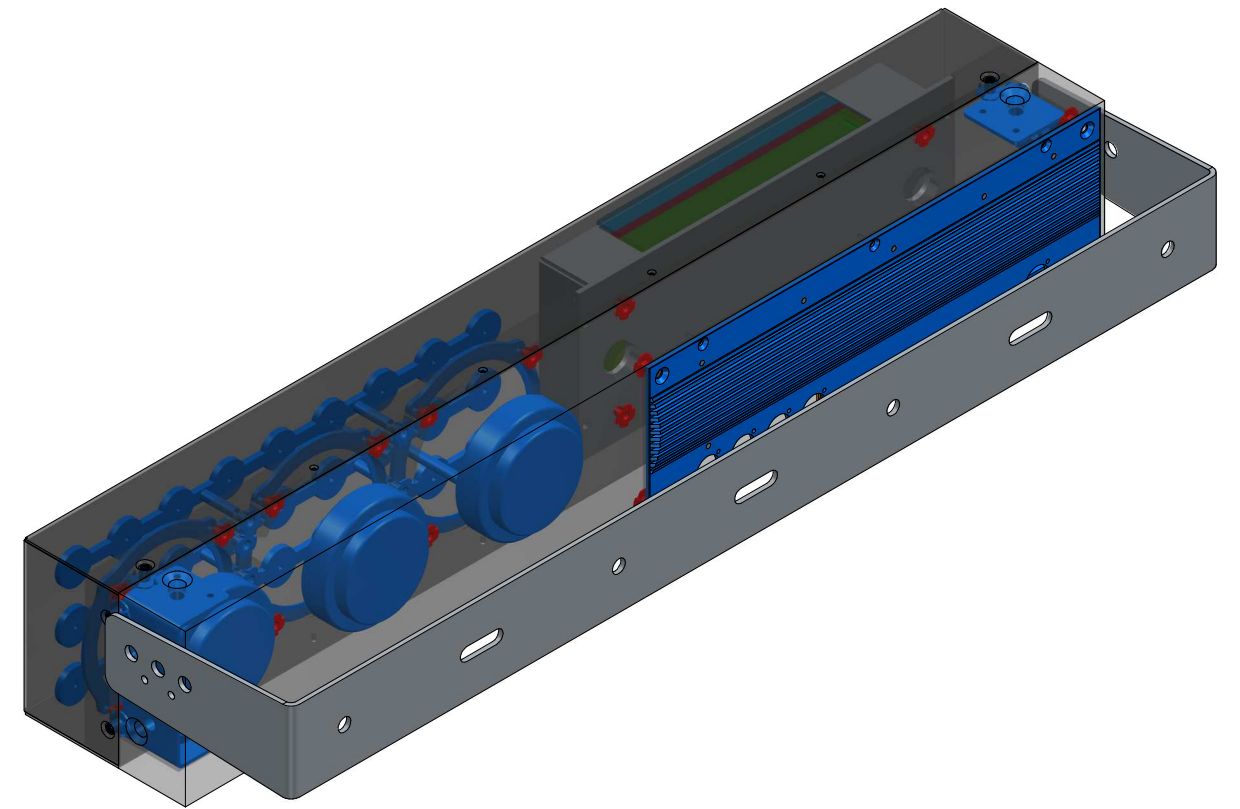
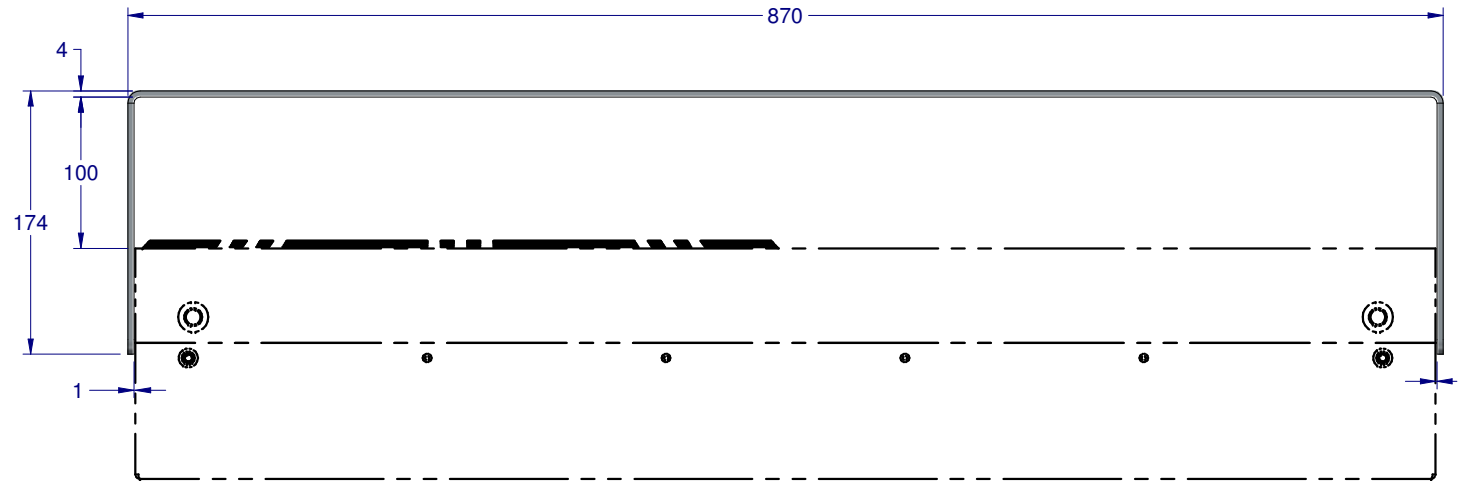


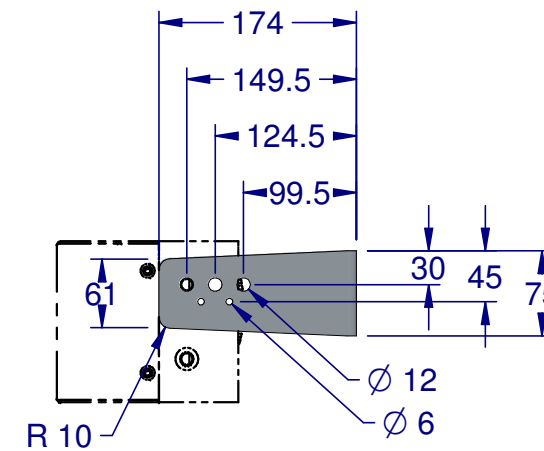
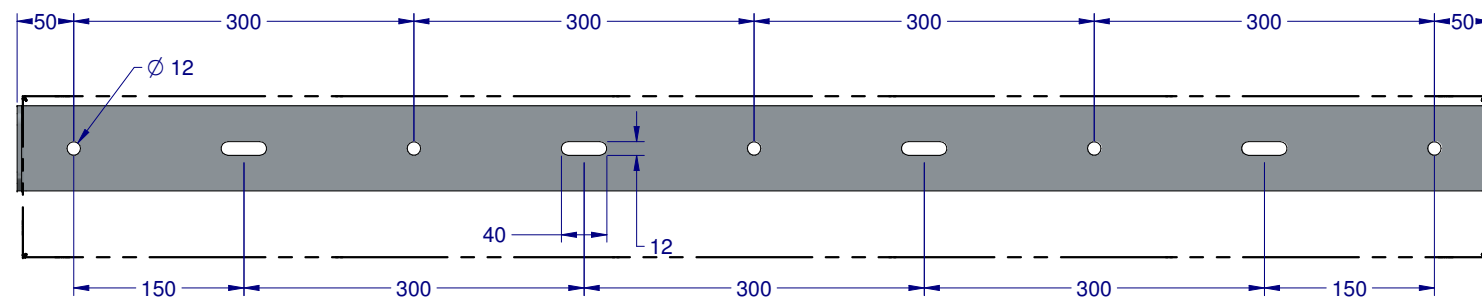
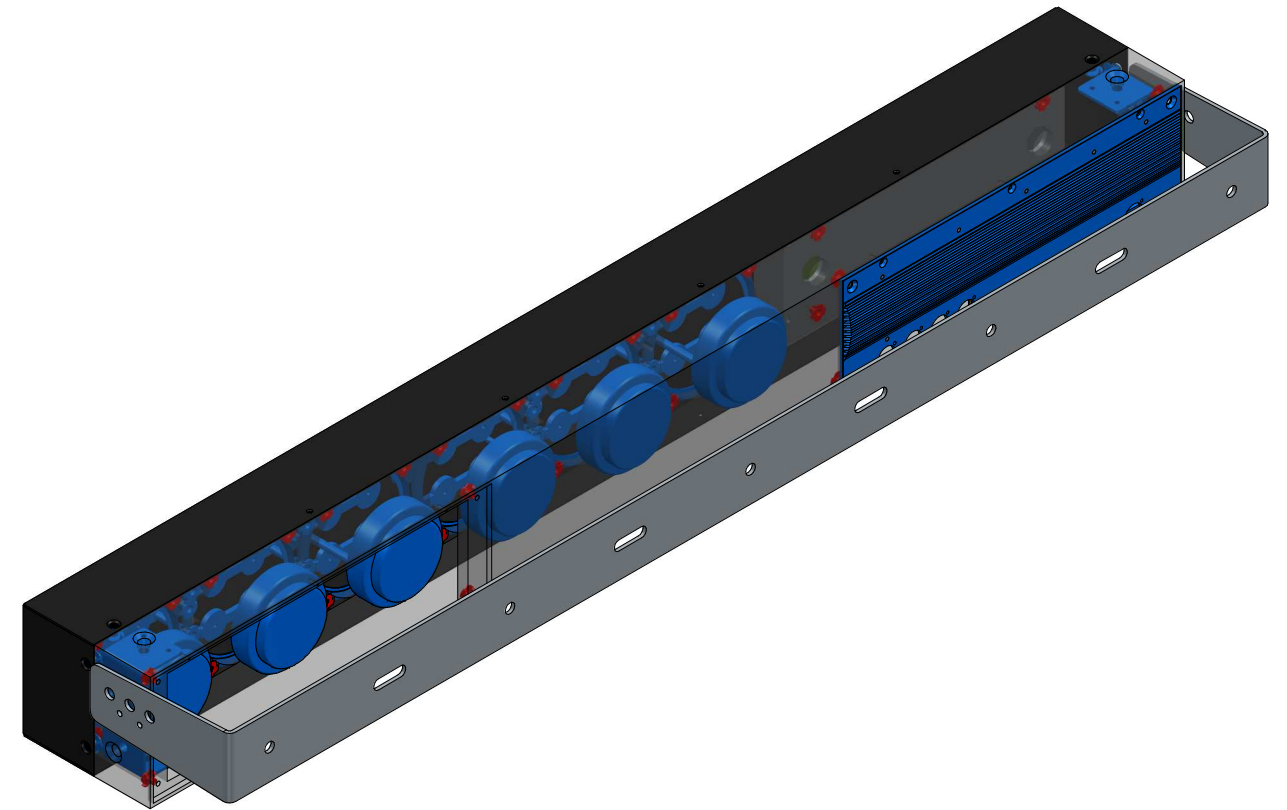
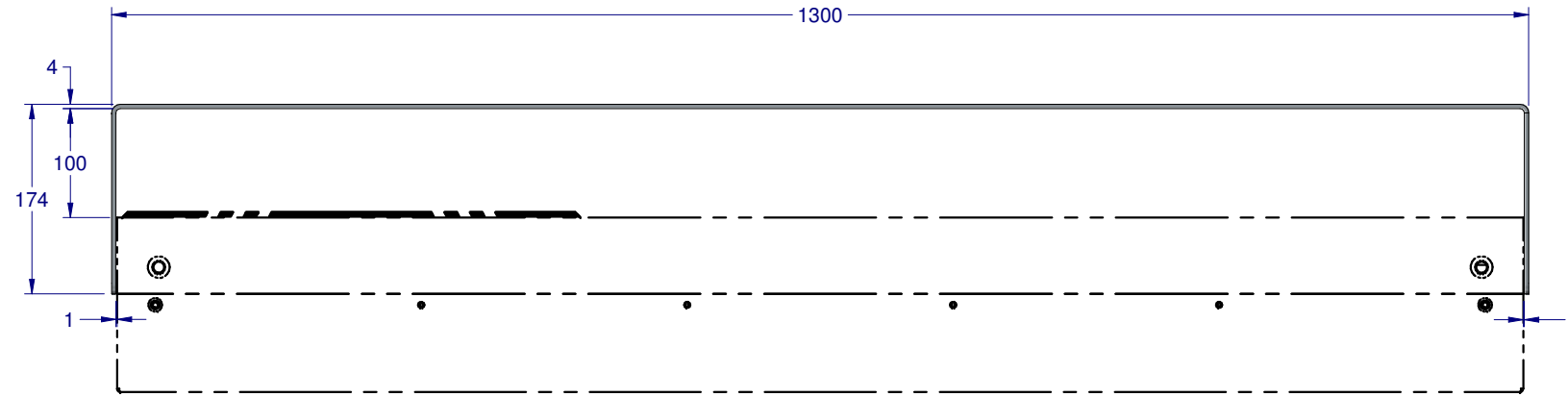
REV	DATE	DETAILS	BY/APPD



**SECURE
ELECTRONICS**

<small>© 2015. This document and the intellectual property contained herein remain the property of the author and may not be disclosed to third parties, whether in printed or electronic form, without the written consent of the copyright owner. DO NOT work to marked-up prints!</small>	GENERAL TOLERANCES (Unless otherwise noted): Whole: ± 1.0mm Decimal: ± 0.2mm Angular: ± 0.5 deg. Break ALL sharp corners and remove burrs & swarf.	Drawn: T.D 5/07/2021	Mat'l: MILD STEEL	Title / Project: SC-30SL MOUNTING BRACKET DWG No: SC30-SL-MB-01 SCALE:
		Chkd:	Finish: P/COAT MATT BLACK	
		Apprv:	All Dimensions in mm unless otherwise noted Third Angle Projection - AS 1100	File:

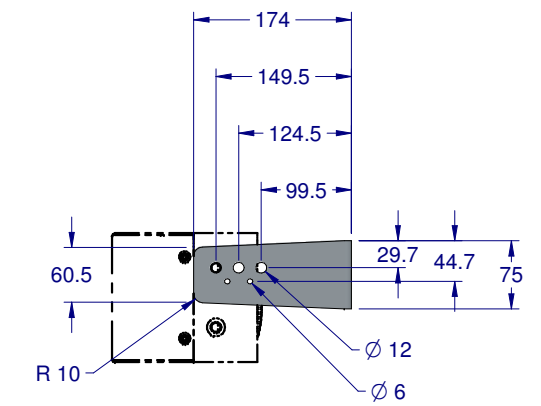
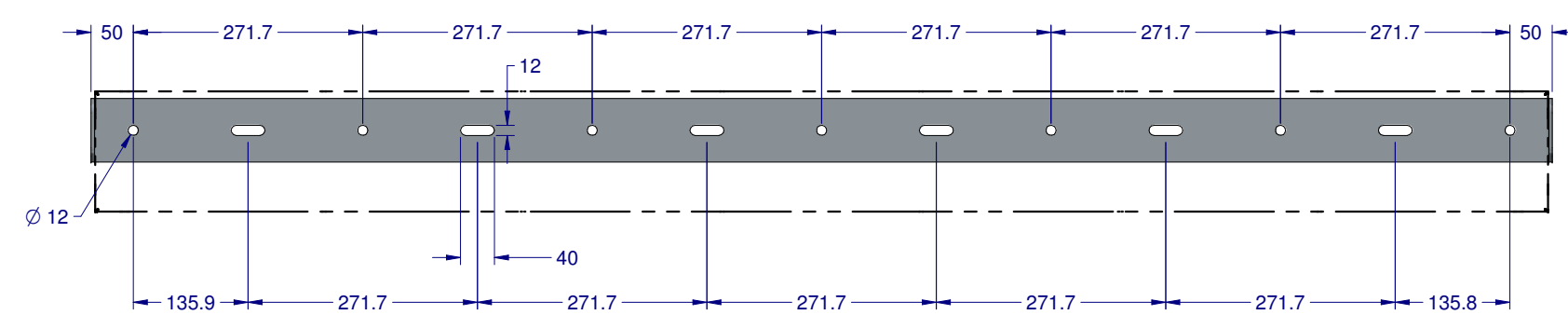
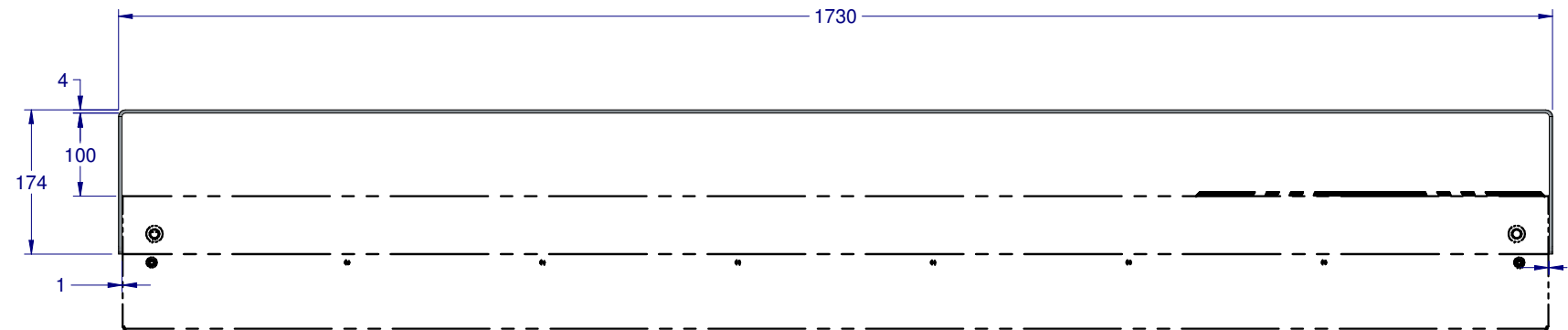
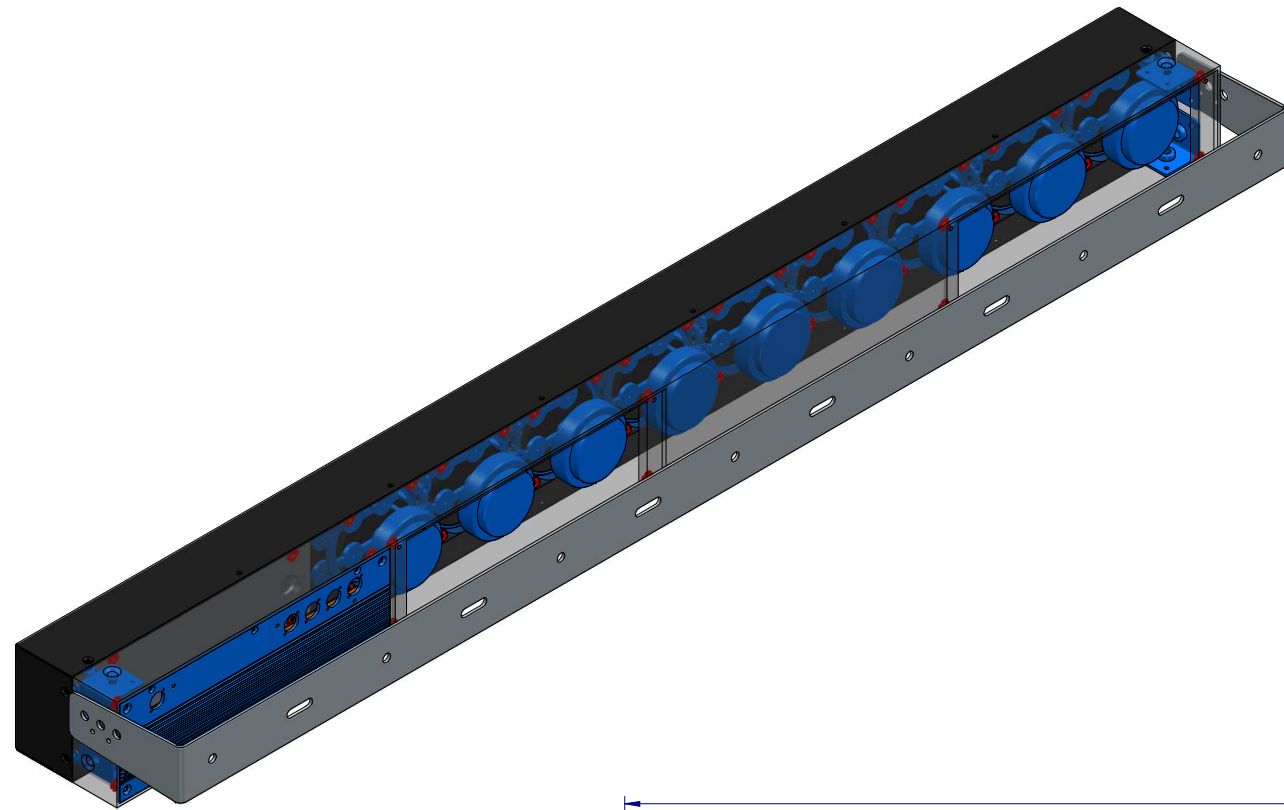
REV	DATE	DETAILS	BY/APPD



**SECURE
ELECTRONICS**

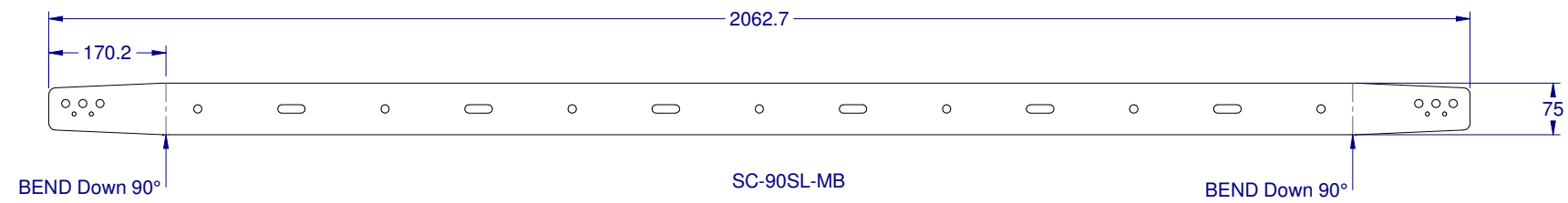
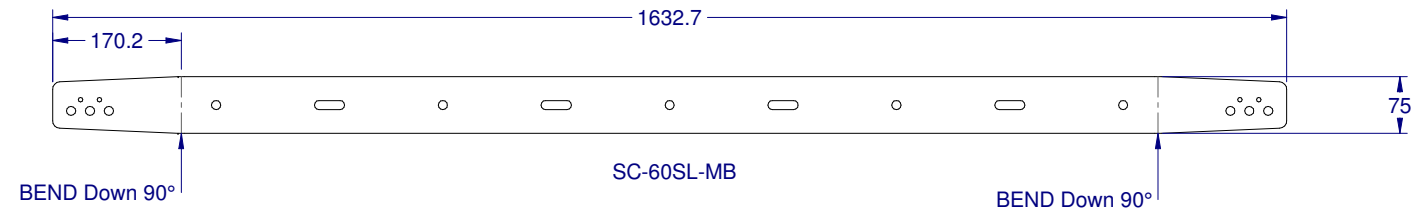
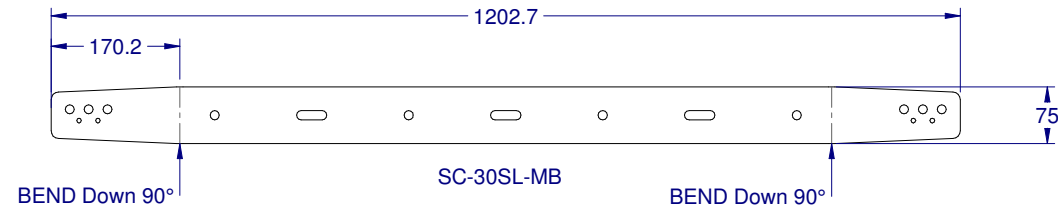
<p>© 2015. This document and the intellectual property contained herein remain the property of the author and may not be disclosed to third parties, whether in printed or electronic form, without the written consent of the copyright owner. DO NOT work to marked-up prints!</p>	<p>GENERAL TOLERANCES (Unless otherwise noted): Whole: ± 1.0mm Decimal: ± 0.2mm Angular: ± 0.5 deg. Break ALL sharp corners and remove burrs & swarf.</p>	Drawn: T.D 5/07/2021	Mat'l: MILD STEEL	<p>Title / Project: SC-60SL MOUNTING BRACKET</p>
		Chkd:	Finish: PCOAT MATT BLACK	
		Apprv:	<p>All Dimensions in mm unless otherwise noted</p> <p>Third Angle Projection - AS 1100</p>	
<p>Scale: A3</p>		DWG No: SC-60SL-MB-01	REV No:	File:

REV	DATE	DETAILS	BY/APPD



<small>© 2015. This document and the intellectual property contained herein remain the property of the author and may not be disclosed to third parties, whether in printed or electronic form, without the written consent of the copyright owner. DO NOT work to marked-up prints!</small>	GENERAL TOLERANCES (Unless otherwise noted): Whole: ± 1.0mm Decimal: ± 0.2mm Angular: ± 0.5 deg. Break ALL sharp corners and remove burrs & swarf.	Drawn: T.D 5/07/2021	Mat': MILD STEEL	SECURE ELECTRONICS Title / Project: SC-90SL MOUNTING BRACKET DWG No: SC-90SL-MB-01 REV No: SCALE: File:
		Chkd:	Finish: P.OAT MATT BLACK	
		Apprv:	All Dimensions in mm unless otherwise noted Third Angle Projection - AS 1100	

REV	DATE	DETAILS	BY/APPD

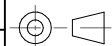


**SECURE
ELECTRONICS**

© 2015. This document and the intellectual property contained herein remain the property of the author and may not be disclosed to third parties, whether in printed or electronic form, without the written consent of the copyright owner. DO NOT work to marked-up prints!

GENERAL TOLERANCES (Unless otherwise noted):
 Whole: ± 1.0mm
 Decimal: ± 0.2mm
 Angular: ± 0.5 deg.
 Break ALL sharp corners and remove burrs & swarf.

Drawn: T.D 5/07/2021
 Chkd:
 Apprv:

Mat'l:
 Finish:
 All Dimensions in mm unless otherwise noted
 Third Angle Projection - AS 1100

Title / Project:
A3 DWG No:
 SCALE: File:
 REV No: