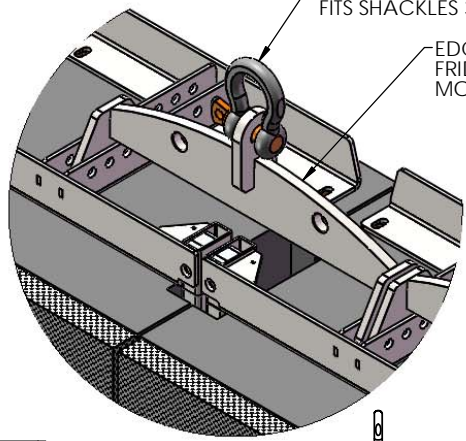


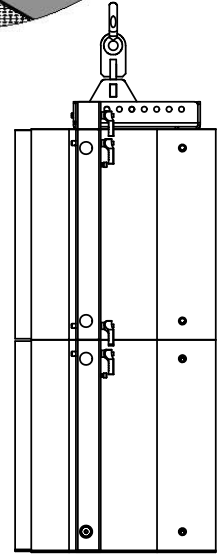
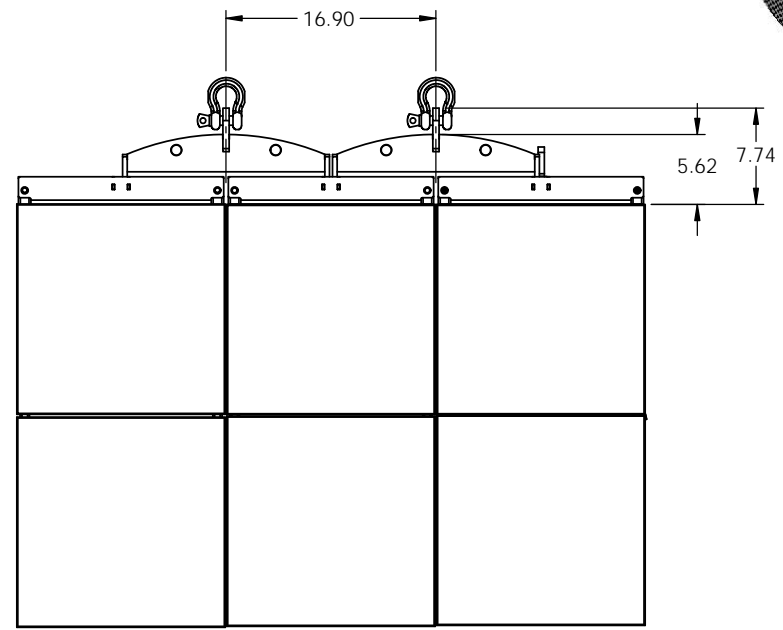
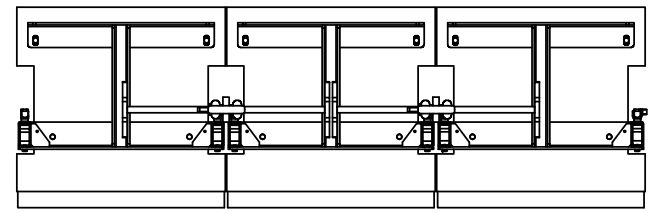
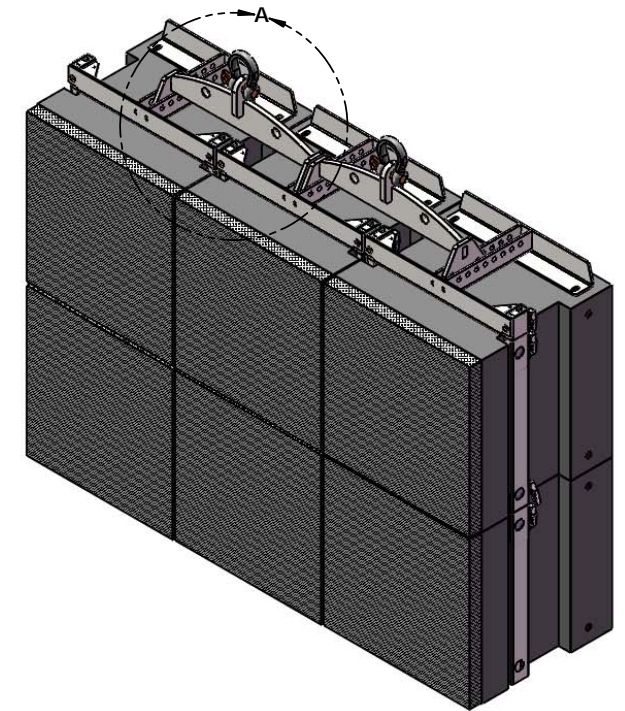
MFG. NEXT OPERATION

5/8" SHACKLE  
FITS SHACKLES 3/8, 1/2 & 5/8


EDC-SQ1-BF  
FRIDGE FRAME  
MOVABLE AT 1.0" INCREMENTS



DETAIL A  
SCALE 1 : 5



Notes:  
Unless Otherwise Specified

REVISIONS					PROPRIETARY AND CONFIDENTIAL THIS DRAWING IS THE PROPERTY OF ADAPTIVE TECHNOLOGIES GROUP AND EMBODIES A PROPRIETY DESIGN ORIGINATED BY ADAPTIVE TECHNOLOGIES GROUP ALL DESIGN, MANUFACTURE, REPRODUCTION, USE AND SALE RIGHTS REGARDING THE SAME ARE EXPRESSLY RESERVED. THIS DRAWING MAY NOT BE REPRODUCED OR INFORMATION HEREIN TRANSMITTED IN ANY WAY WITHOUT WRITTEN CONSENT FROM ADAPTIVE TECHNOLOGIES GROUP ALL PATENT RIGHTS HERETO ARE EXPRESSLY RESERVED BY ALLEN PRODUCTS CO. SIGNAL HILL, CALIFORNIA	UNLESS OTHERWISE SPECIFIED:		NAME	DATE	 <b>ADAPTIVE TECHNOLOGIES GROUP</b> 1635 E. Burnett Street Signal Hill, CA 90755 Tel: 562-424-1100 Fax: 562-424-3520						
REV.	DESCRIPTION	DRAWN	DATE	APPROVED		DIMENSIONS ARE IN INCHES TOLERANCES: FRACTIONAL ± 1/64 ANGULAR: MACH ± .5° TWO PLACE DECIMAL ± .03 THREE PLACE DECIMAL ± .01	DRAWN	LB	10/30/18		TITLE:					
01	ADDED SUSPENSION TAB ON BRIDGE FRAME	TBA	12/04/18		INTERPRET GEOMETRIC TOLERANCING PER:	ENG APPR.				3 WAY HANG						
						MATERIAL			COMMENTS:	NEXT ASSY:						
						FINISH				USED ON:						
						DO NOT SCALE DRAWING				<table border="1"> <tr> <td>SIZE</td> <td>DWG. NO.</td> <td>REV</td> </tr> <tr> <td><b>B</b></td> <td>EDC-SQ1</td> <td>01</td> </tr> </table>	SIZE	DWG. NO.	REV	<b>B</b>	EDC-SQ1	01
SIZE	DWG. NO.	REV														
<b>B</b>	EDC-SQ1	01														
								SCALE: 1:10	WEIGHT:	SHEET 1 OF 1						

FILE LOCATION: R:\ENGINEERING\PROJECTS-PRELIMINARY DRAWINGS\PROJ-701-1000\PROJ-765 EDCV ACOUSTICS\