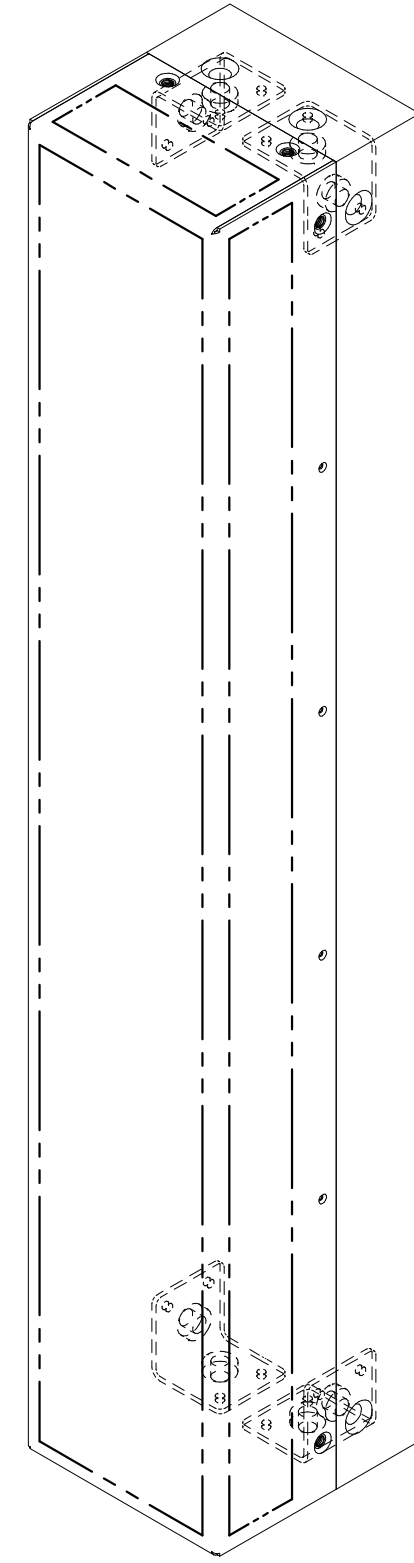
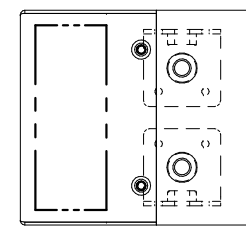
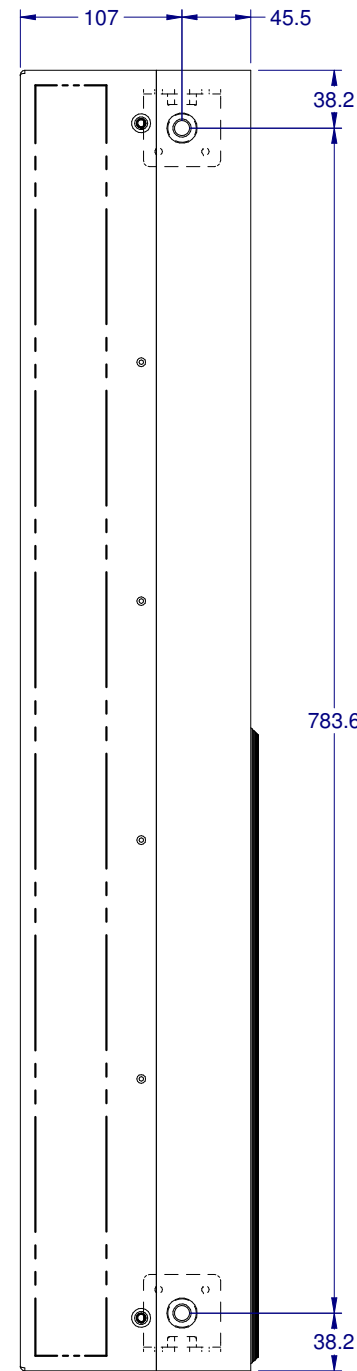
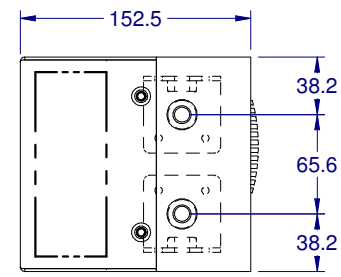
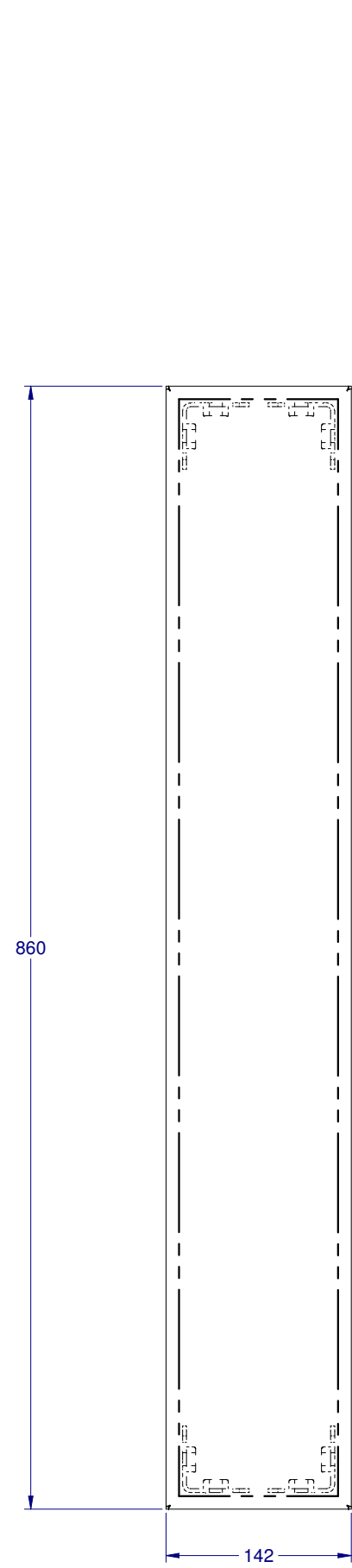


PRINT MAY BE REDUCED - DO NOT SCALE

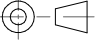
REV	DATE	DETAILS	BY/APPD



© 2015. This document and the intellectual property contained herein remain the property of the author and may not be disclosed to third parties, whether in printed or electronic form, without the written consent of the copyright owner. DO NOT work to marked-up prints!

GENERAL TOLERANCES (Unless otherwise noted):  
 Whole: ± 1.0mm  
 Decimal: ± 0.2mm  
 Angular: ± 0.5 deg.  
 Break ALL sharp corners and remove burrs & swarf.

Drawn: T.D 10/04/2022  
 Chkd:  
 Apprv:

Mat'l:  
 Finish:  
 All Dimensions in mm unless otherwise noted  
 Third Angle Projection - AS 1100

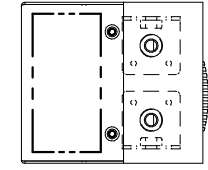
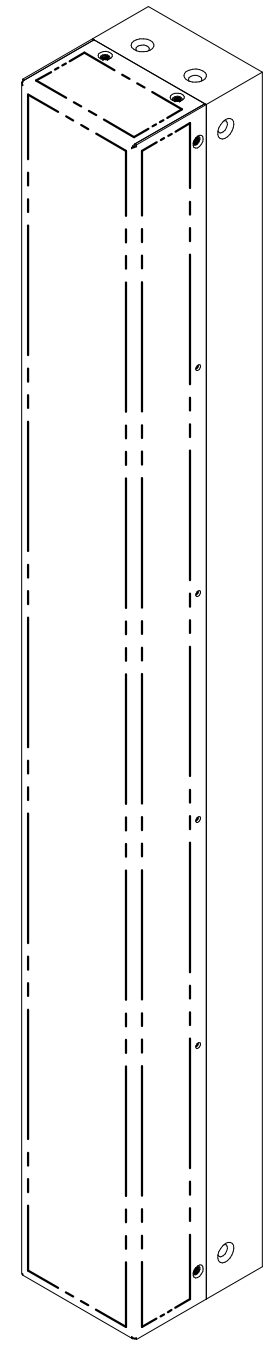
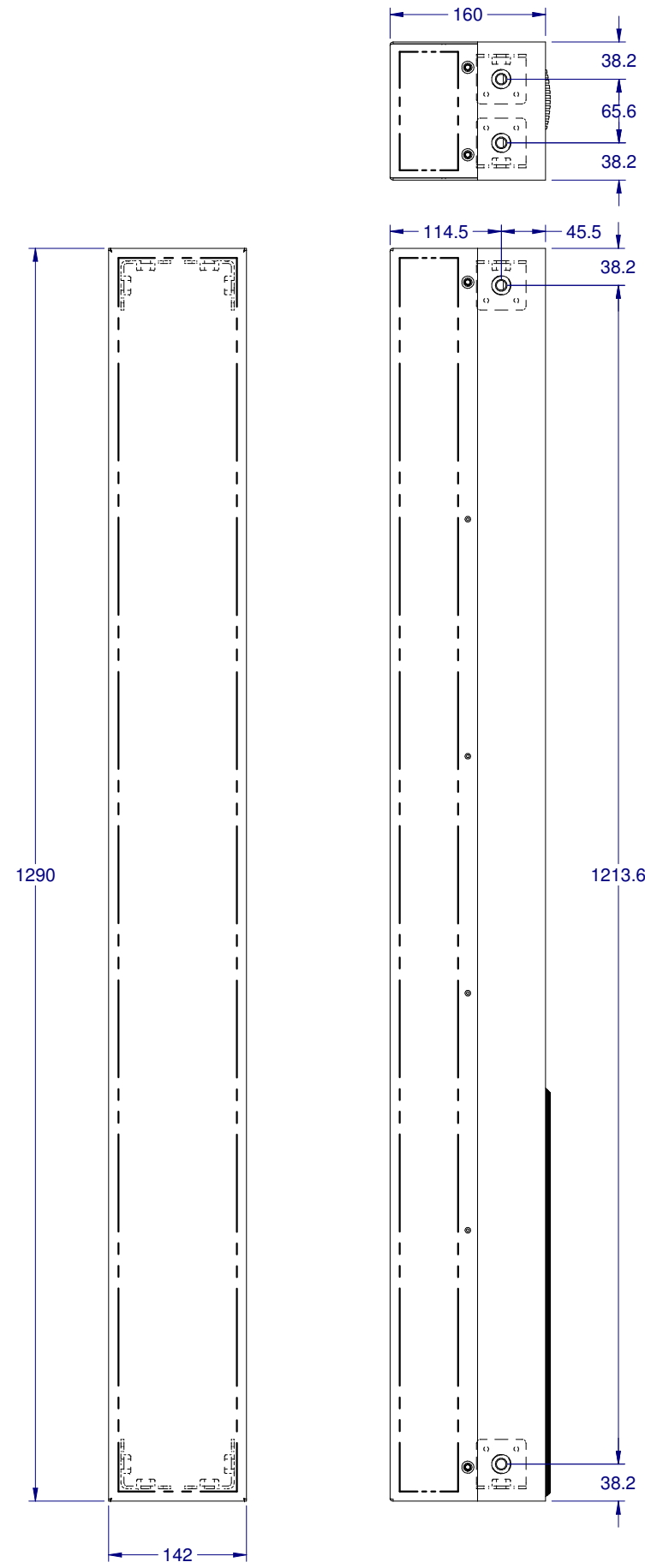
**SECURE ELECTRONICS**

Title / Project:

A3	DWG No: <b>SC30-SL</b>	REV No:
	SCALE:	File:

PRINT MAY BE REDUCED - DO NOT SCALE

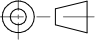
REV	DATE	DETAILS	BY/APPD



© 2015. This document and the intellectual property contained herein remain the property of the author and may not be disclosed to third parties, whether in printed or electronic form, without the written consent of the copyright owner. DO NOT work to marked-up prints!

GENERAL TOLERANCES (Unless otherwise noted):  
 Whole: ± 1.0mm  
 Decimal: ± 0.2mm  
 Angular: ± 0.5 deg.  
 Break ALL sharp corners and remove burrs & swarf.

Drawn: T.D 10/04/2022  
 Chkd:  
 Apprv:

Mat'l:  
 Finish:  
 All Dimensions in mm unless otherwise noted  
 Third Angle Projection - AS 1100

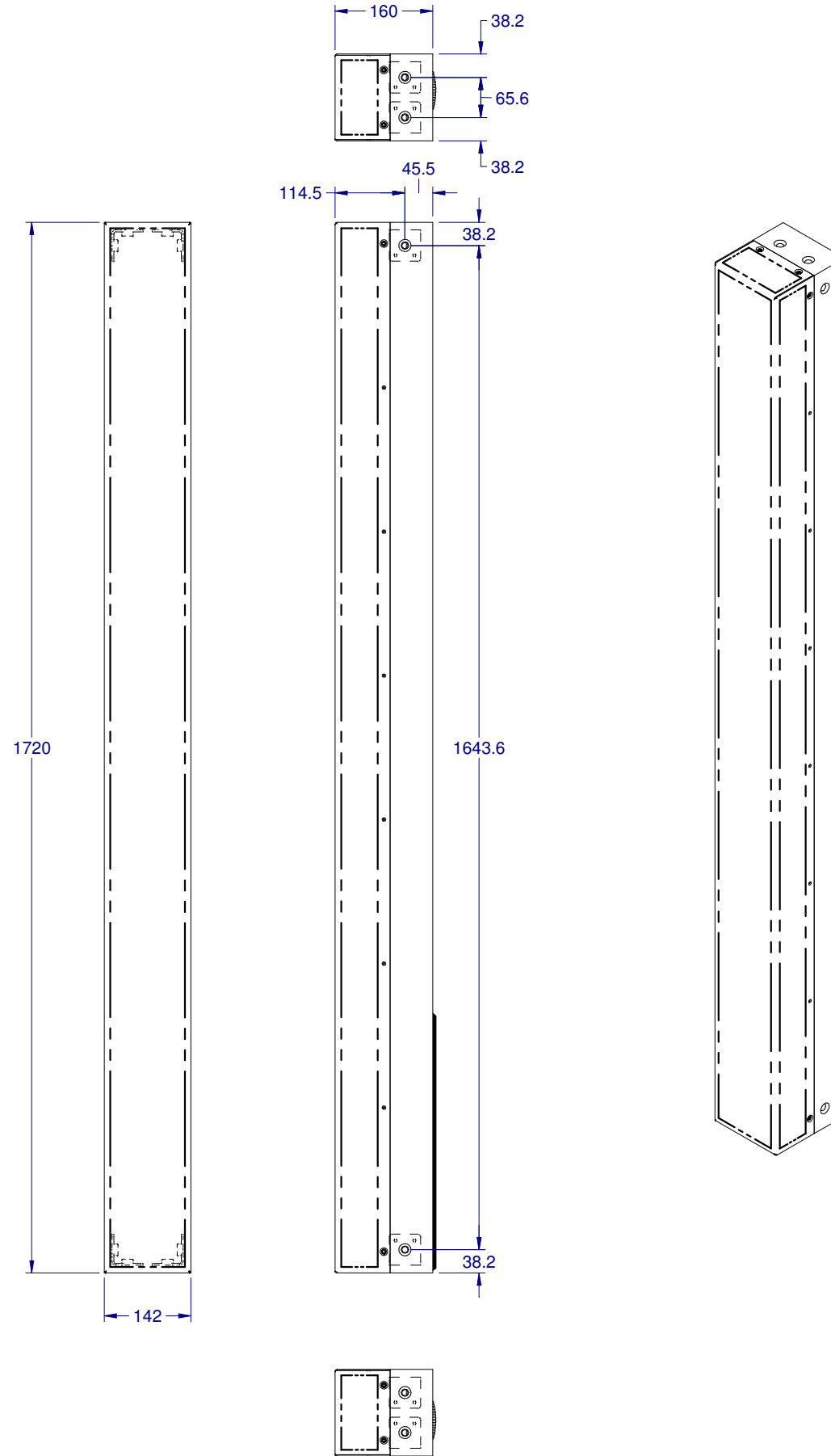
**SECURE ELECTRONICS**

Title / Project:

A3	DWG No: <b>SC60-SL</b>	REV No:
	SCALE:	File:

PRINT MAY BE REDUCED - DO NOT SCALE

REV	DATE	DETAILS	BY/APPD

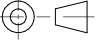


**SECURE  
ELECTRONICS**

© 2015. This document and the intellectual property contained herein remain the property of the author and may not be disclosed to third parties, whether in printed or electronic form, without the written consent of the copyright owner. DO NOT work to marked-up prints!

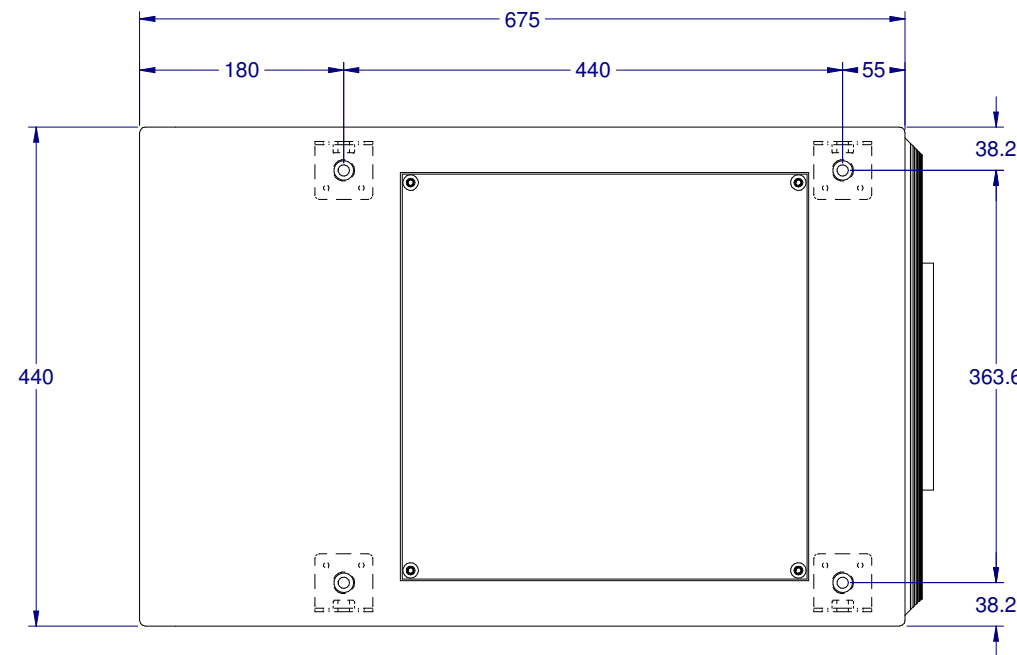
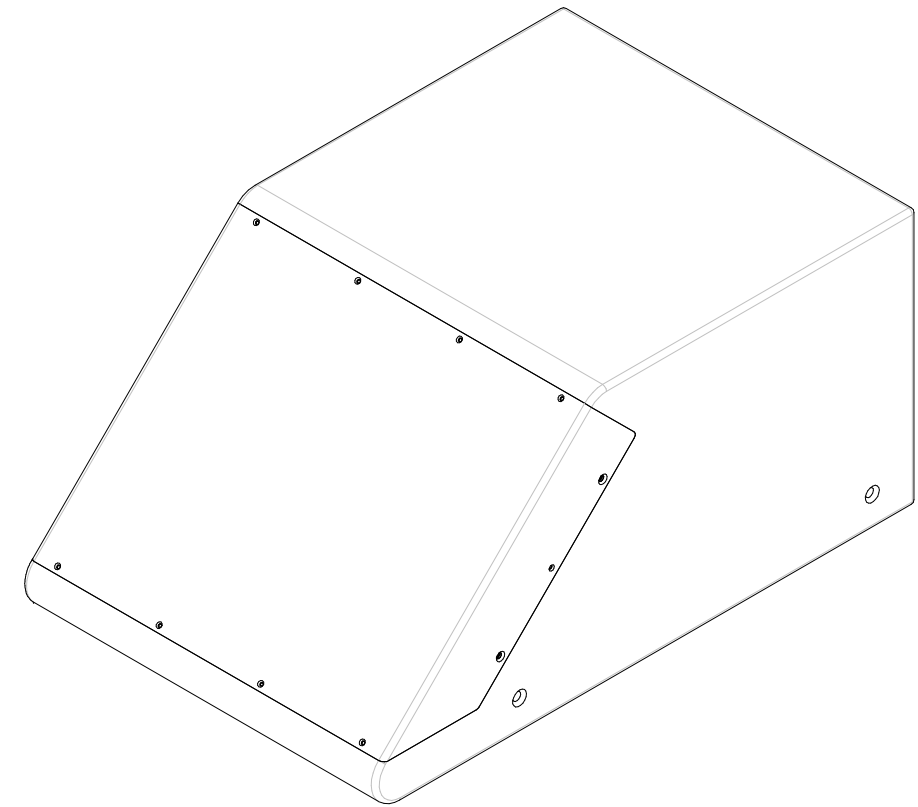
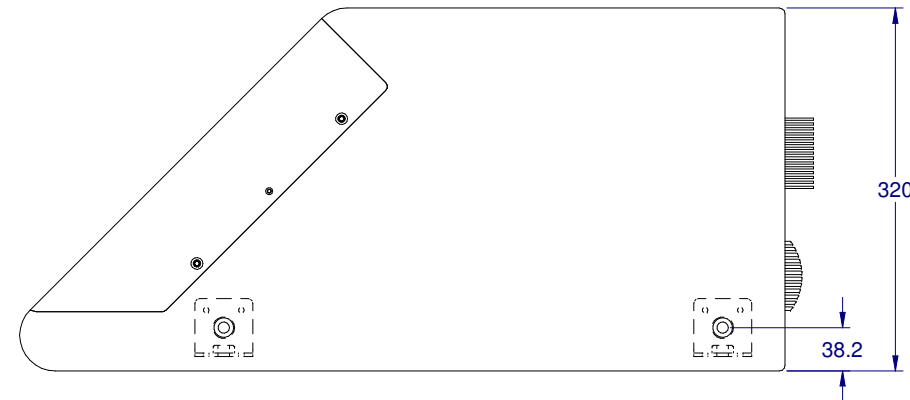
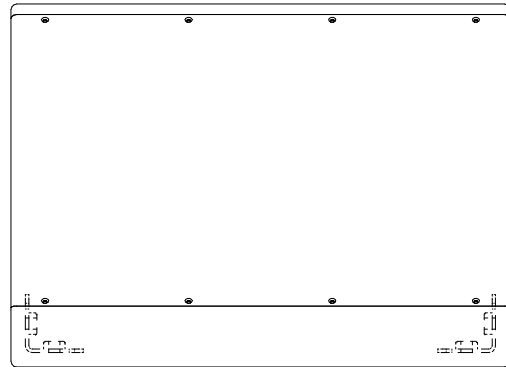
GENERAL TOLERANCES (Unless otherwise noted):  
 Whole: ± 1.0mm  
 Decimal: ± 0.2mm  
 Angular: ± 0.5 deg.  
 Break ALL sharp corners and remove burrs & swarf.

Drawn: T.D  
 10/04/2022  
 Chkd:  
 Apprv:

Mat'l:  
 Finish:  
 All Dimensions in mm unless otherwise noted  
 Third Angle Projection - AS 1100

Title / Project:  
**A3** DWG No: **SC90-SL** REV No:  
 SCALE: File:

REV	DATE	DETAILS	BY/APPD



**SECURE  
ELECTRONICS**

© 2015. This document and the intellectual property contained herein remain the property of the author and may not be disclosed to third parties, whether in printed or electronic form, without the written consent of the copyright owner. DO NOT work to marked-up prints!

GENERAL TOLERANCES (Unless otherwise noted):  
 Whole: ± 1.0mm  
 Decimal: ± 0.2mm  
 Angular: ± 0.5 deg.  
 Break ALL sharp corners and remove burrs & swarf.

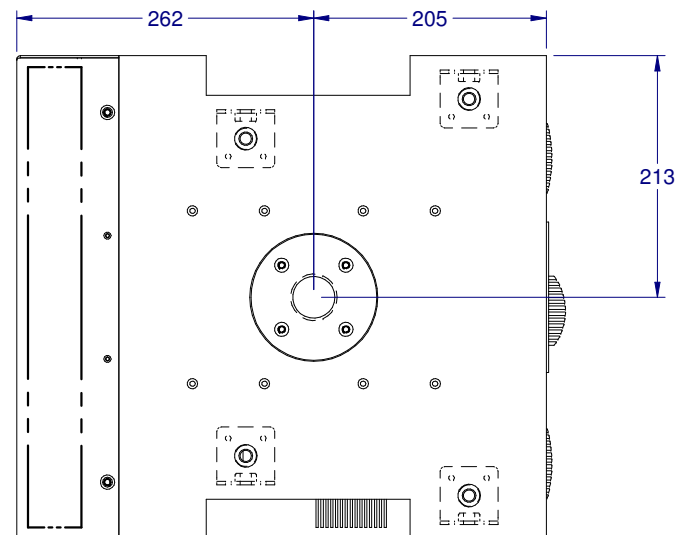
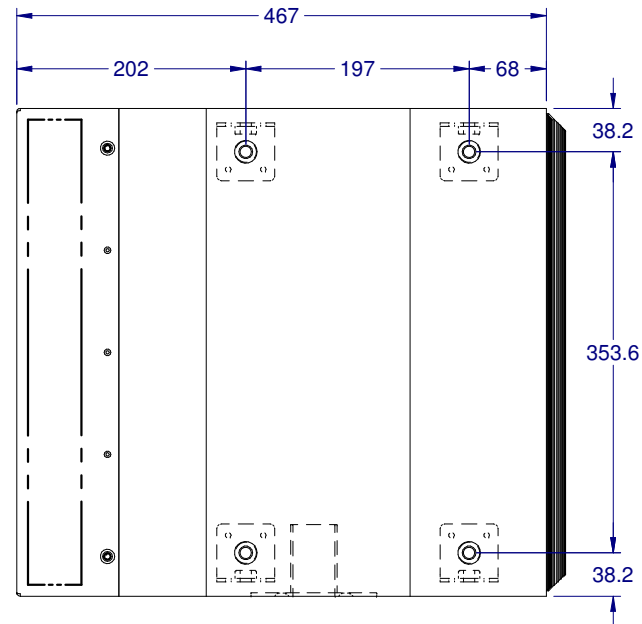
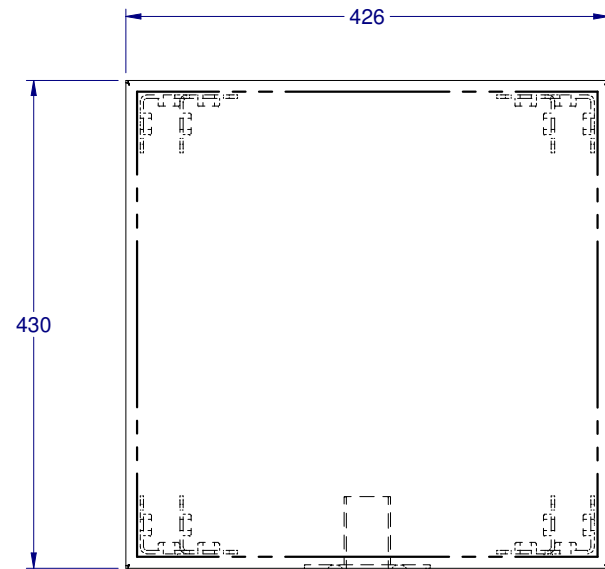
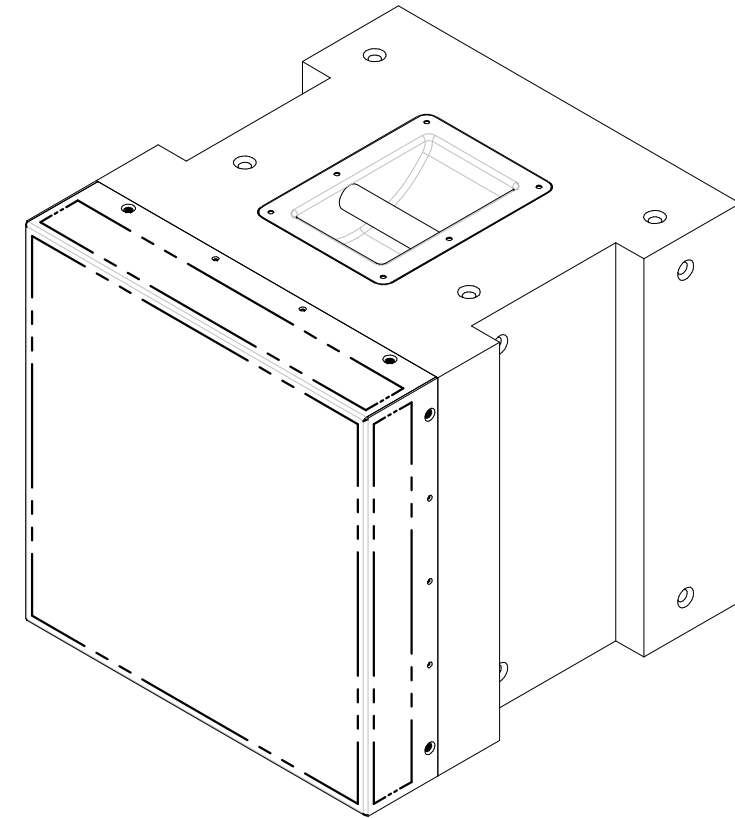
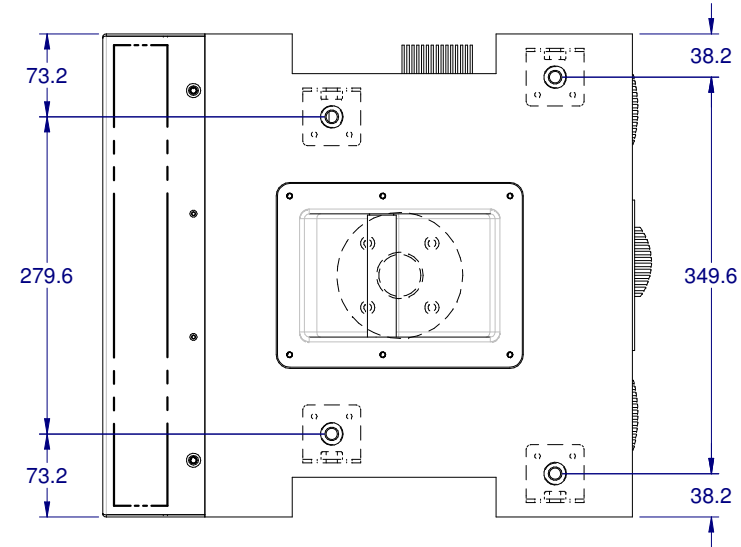
Drawn: T.D 10/04/2022  
 Chkd:  
 Apprv:

Mat'l:  
 Finish:  
 All Dimensions in mm unless otherwise noted  
 Third Angle Projection - AS 1100

Title / Project:  
**A3** DWG No: **Wedge** REV No:  
 SCALE: File:

PRINT MAY BE REDUCED - DO NOT SCALE

REV	DATE	DETAILS	BY/APPD



© 2015. This document and the intellectual property contained herein remain the property of the author and may not be disclosed to third parties, whether in printed or electronic form, without the written consent of the copyright owner. DO NOT work to marked-up prints!

GENERAL TOLERANCES (Unless otherwise noted):  
 Whole: ± 1.0mm  
 Decimal: ± 0.2mm  
 Angular: ± 0.5 deg.  
 Break ALL sharp corners and remove burrs & swarf.

Drawn: T.D 10/04/2022  
 Chkd:  
 Apprv:

Mat'l:  
 Finish:  
 All Dimensions in mm unless otherwise noted  
 Third Angle Projection - AS 1100

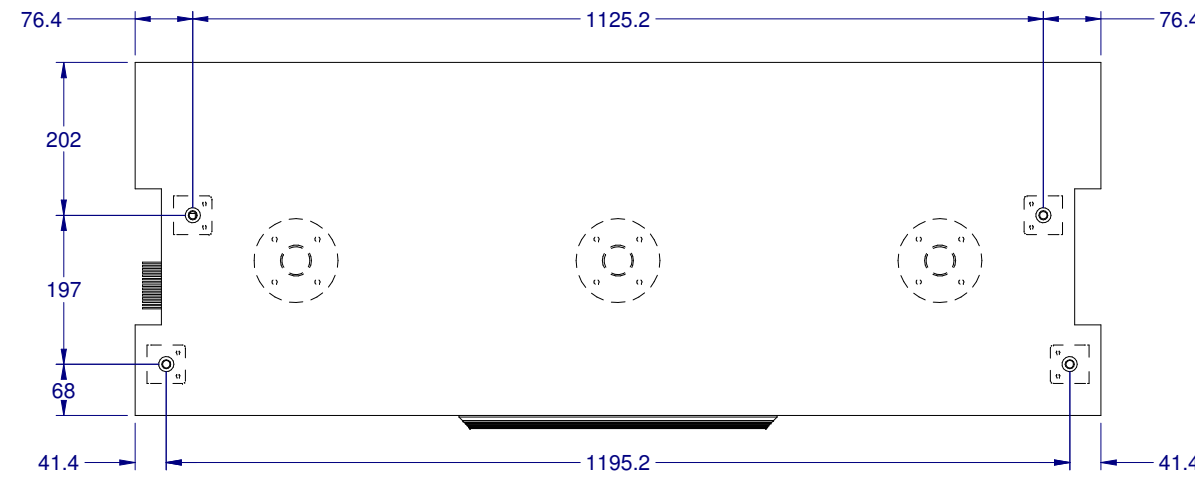
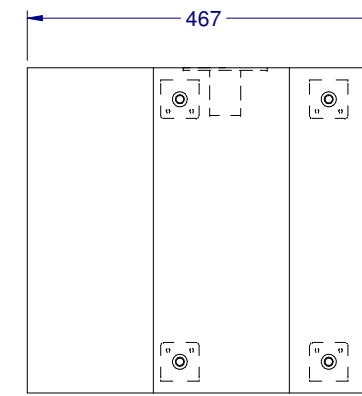
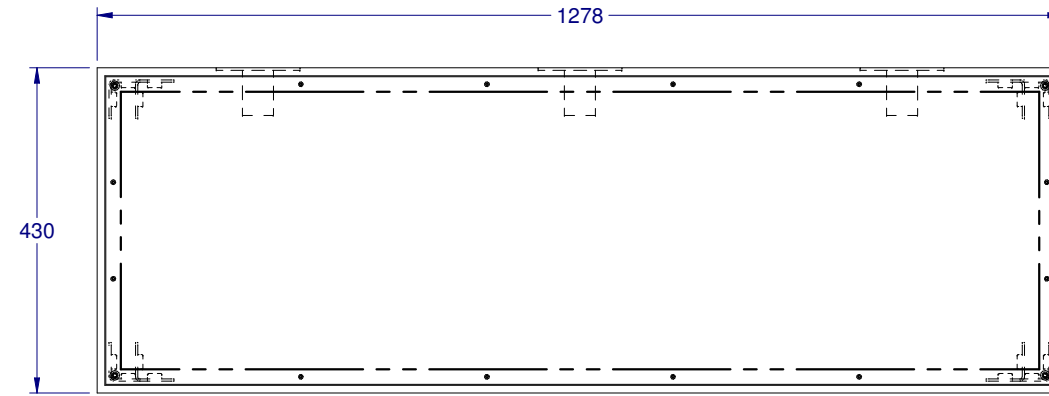
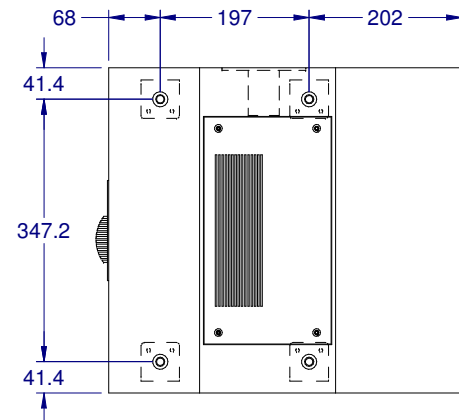
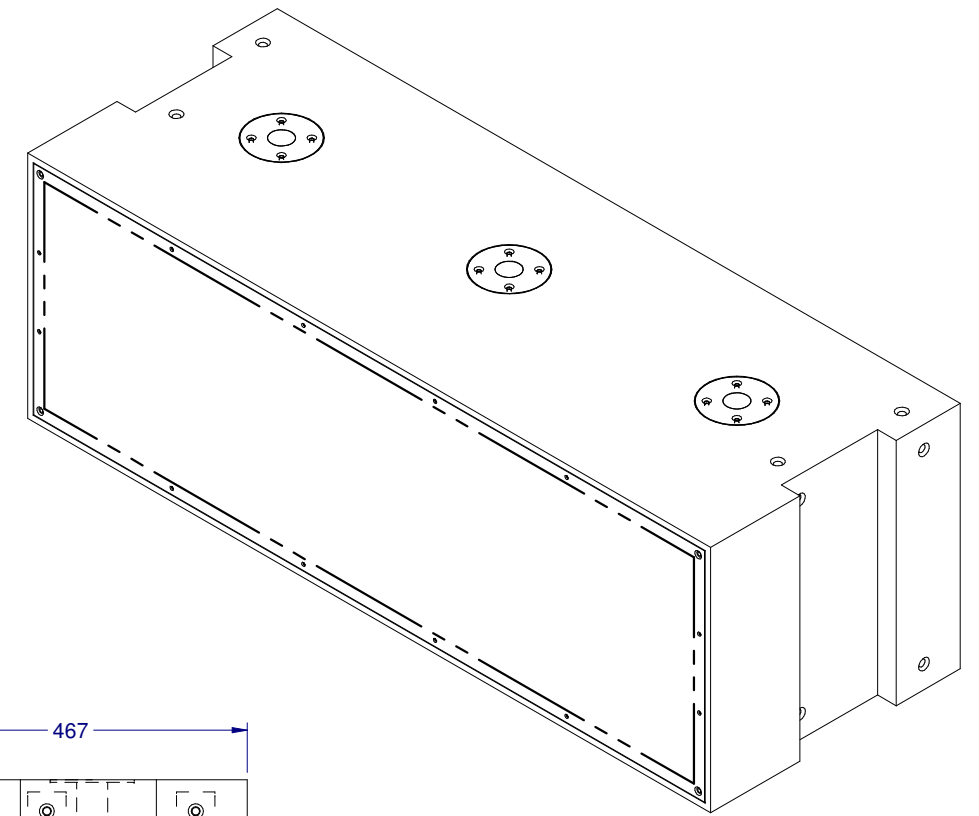
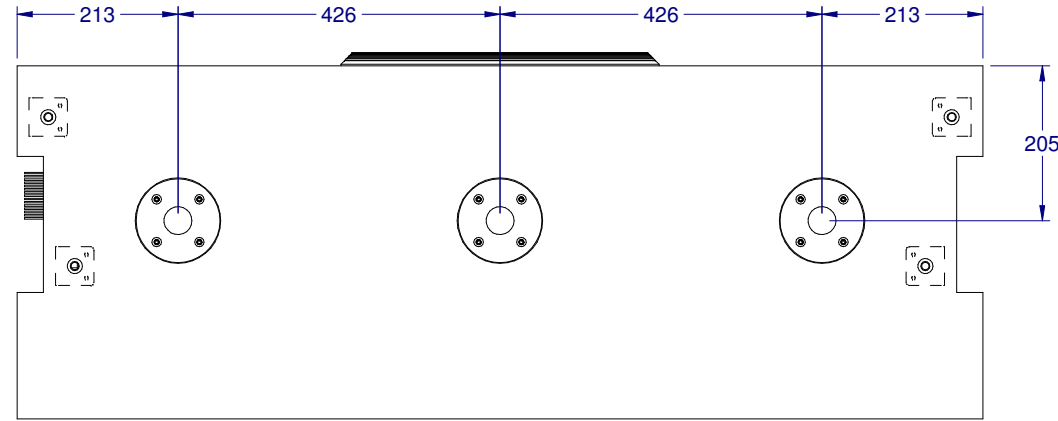
**SECURE ELECTRONICS**

Title / Project: **Square Column**

**A3** DWG No: SCALE: File: REV No:

PRINT MAY BE REDUCED - DO NOT SCALE

REV	DATE	DETAILS	BY/APPD



**SECURE  
ELECTRONICS**

© 2015. This document and the intellectual property contained herein remain the property of the author and may not be disclosed to third parties, whether in printed or electronic form, without the written consent of the copyright owner. DO NOT work to marked-up prints!

GENERAL TOLERANCES (Unless otherwise noted):  
Whole: ± 1.0mm  
Decimal: ± 0.2mm  
Angular: ± 0.5 deg.  
Break ALL sharp corners and remove burrs & swarf.

Drawn: T.D  
10/04/2022  
Chkd:  
Apprv:

Mat'l:  
Finish:  
Third Angle Projection - AS 1100

Title / Project: **SS3\_Small Sub**  
DWG No: **A3**  
SCALE: File:  
REV No: